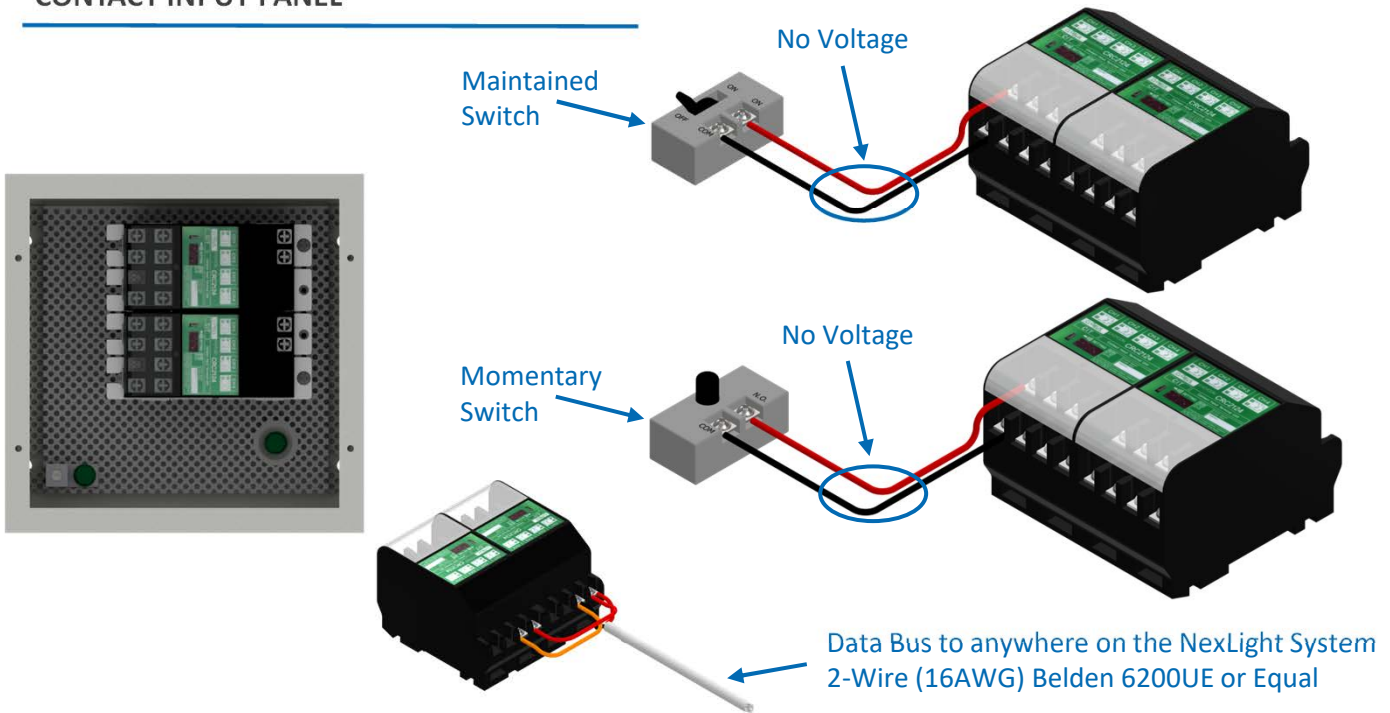


NXL-AVI

CONTACT INPUT PANEL



APPLICATION OVERVIEW

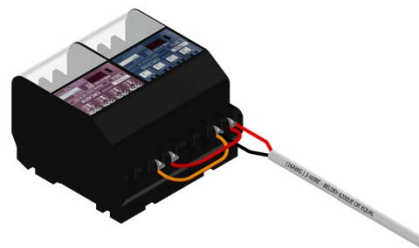
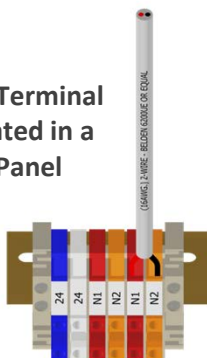
The NXL-AVI is a Contact Input Accessory Panel commonly used for integration of A/V systems with the NexLight Lighting Control System. The small enclosure can easily be mounted adjacent to the system providing contact closures. Contact Closures may be momentary or maintained allowing flexibility in achieving the desired sequence of operation. The NXL-AVI requires no transformer for control power, the only control power required is supplied by the NexLight 2-Wire Data Bus to provide up to 8 Contact Inputs.

APPLICATION HIGHLIGHTS

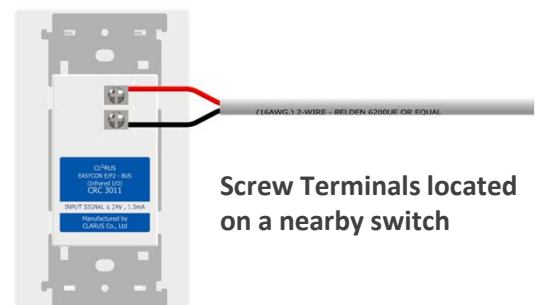
- (8) Contact Inputs that accept “Dry” Contact Closures.
- Use with R Series, D Series or a Custom Panel.
- Simple integration of 3rd party systems and devices into the NexLight System.

TYPICAL DATA BUS CONNECTIONS

Data Bus Terminal Block located in a NexLight Panel



Screw Terminals located on Panel devices



Screw Terminals located on a nearby switch